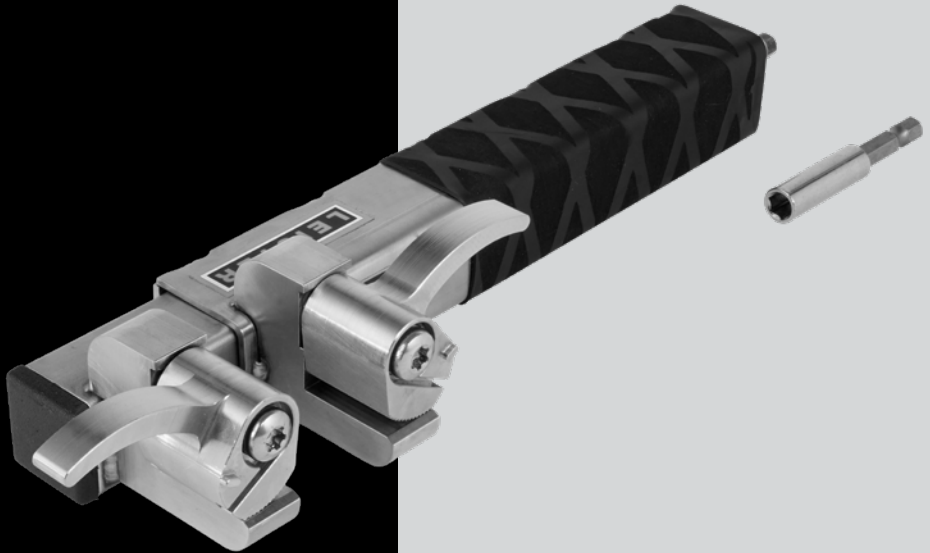


**LEISTER**®

English

# EXAMO 100



**Leister Technologies AG**

Galileo-Strasse 10

6056 Kaegiswil

Switzerland

+41 41 662 74 74

[leister@leister.com](mailto:leister@leister.com)

[leister.com](http://leister.com)

# Table of Contents

<b>1. Important Safety Instructions</b>	<b>3</b>
<b>2. Application</b>	<b>4</b>
1.1 Intended use	4
1.2 Non-intended use	4
<b>3. Technical Data</b>	<b>5</b>
<b>4. Your EXAMO 100 Testing Device</b>	<b>6</b>
4.1 Type plate and identification	6
4.2 Scope of delivery (standard equipment in the storage box)	6
4.3 Overview of device parts	7
<b>5. Commissioning the EXAMO 100</b>	<b>8</b>
5.1 Work environment and safety	8
5.2 Preparation and operation	9
5.3 Testing with EXAMO 100	9
<b>6. Quick Guide EXAMO 100</b>	<b>10</b>
<b>7. Frequently Asked Questions, Causes And Measures EXAMO 100</b>	<b>11</b>
<b>8. Maintenance</b>	<b>11</b>
<b>9. Declaration of Conformity</b>	<b>12</b>

**Congratulations on the purchase of your EXAMO 100**

You have chosen a first-class tester.

It was developed and produced in accordance with the latest technology in the plastics-processing industry.



We recommend that you always keep the instruction manual with the device.

## EXAMO 100 Testing Device

You can find more information about the EXAMO 100 tester at [leister.com](http://leister.com)



### 1. Important Safety Instructions

**Warning**

**Keep handles and grip surfaces dry, clean and free from oil and grease.** Slippery handles and grip surfaces do not permit safe operation and control of the device in unforeseen situations.



**The device should only be operated only by trained specialists or under their supervision.** Children are not permitted to operate the device.



You need a cordless drill to operate the EXAMO 100. **Read the operating instructions** of the manufacturer and observe its warning and safety instructions.

## 2. Application

### 1.1 Intended use

The EXAMO 100 tensile tester is intended for professional use and is used for destructive testing of weld seam quality.

The EXAMO 100 tensile tester is to be used for testing plastic membranes made of PE-HD and PE-LD with a thickness of 0.5–3.0 mm and a maximum width of 25 mm.

To use the EXAMO 100 testing device, a cordless drill with bit holder equipped with a gear selector switch for the slow speed stage is required.

### 1.2 Non-intended use

Any other use or any use beyond the type of use described is deemed non-intended use.

### 3. Technical Data

		EXAMO 100	
	Distance	mm	100
	Spindle pitch	mm/rotation	0.75
	Weight	kg lbs	1.4 3.1
	Dimensions	a) mm inch	283 11.1
		b) mm inch	73 2.8
		c) mm inch	50 1.9
			

Subject to change without prior notice.

## 4. Your EXAMO 100 Testing Device

### 4.1 Type plate and identification

The type designation and the series identification are marked on the **type plate (6)** of the device as attached. Please transfer this information to your instruction manual. In the event of any inquiries to our representatives or authorized Leister Service Centers, please always refer to this information.

Model: .....

Serial no.: .....

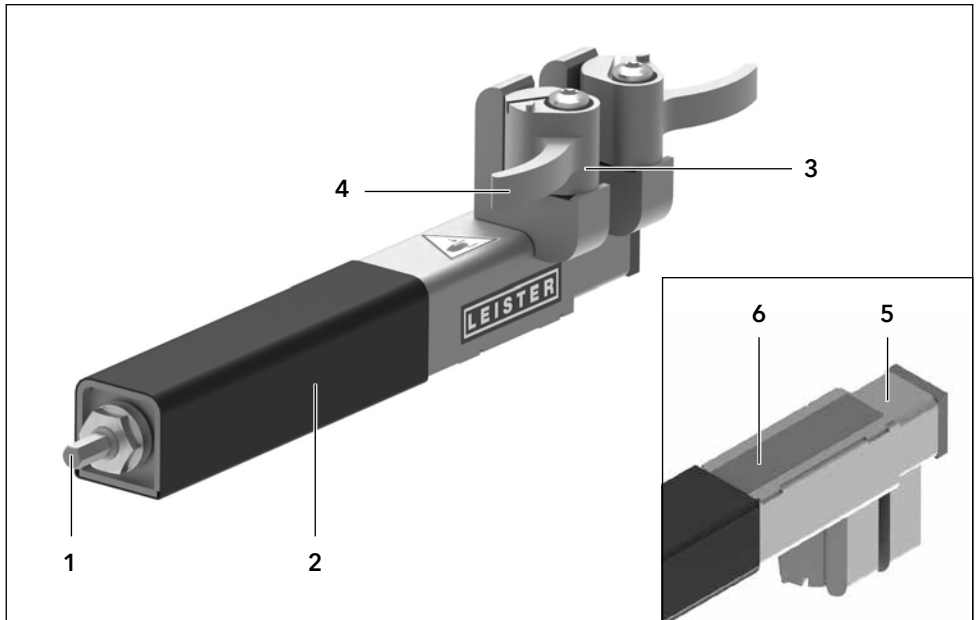
Example:



### 4.2 Scope of delivery (standard equipment in the storage box)

- 1 × EXAMO 100 device
- 1 × Bit holder
- 1 × Original Quick Guide
- 1 × Safety instructions

### 4.3 Overview of device parts



- |   |                   |
|---|-------------------|
| 1. Hexagonal adapter<br>(connection for cordless drill with bit holder) | 4. Clamping lever |
| 2. Handle   | 5. Clamping slide |
| 3. Clamping jaws  | 6. Type plate     |

## 5. Commissioning the EXAMO 100

### 5.1 Work environment and safety

#### Warning



**Hold the testing device with one hand by the handle provided.** Incorrect handling can lead to injuries. The cordless drill may only be switched on when the testing device is being held by the handle.



**Keep handles and grip surfaces dry, clean and free from oil and grease.** Slippery handles and grip surfaces do not permit safe operation and control of the device in unforeseen situations.



**Start the testing process with a slow rotating movement.** During a fast start-up, high action torque can occur for a short time and lead to injuries. Use a cordless drill that can run at slow speeds.



**Switch off the cordless drill immediately if the testing device jams.** Be prepared for reaction torque that cause a backlash. The testing device may jam if not used as intended.



**Always use a bit holder for the connection between the cordless drill and the testing device.** A tight connection without a bit holder can lead to unexpected movements when operating the cordless drill. The bit holder ensures easy and quick separation of the drive from the testing device.



**Watch out for possible hazards** in the area such as e. g. risk of tripping, slipping, strong sunlight, unattended devices, etc.



**The device should only be operated only by trained specialists or under their supervision.** Children are not permitted to operate the device.



**Read the operating instructions** of the cordless drill and screwdriver manufacturer and observe its warning and safety instructions.



## 5.2 Preparation and operation

- The cordless drill/driver must be equipped with a bit holder.
- Set the gear selector switch of the cordless drill to the slowest setting.
- The test piece (coupon) must be prepared so that it does not have any unclean cuts or damage. Ideally, the test piece is punched with the COUPON CUTTER 500 from Leister.

## 5.3 Testing with EXAMO 100

- Set distance between the **clamping jaws (3)** to approx. 15 mm. The distance can be adjusted by turning the **hexagonal adapter (1)**. When rotating clockwise, the **clamping jaws (3)** move apart. When rotating counterclockwise, the **clamping jaws (3)** move together.
- **Open the clamping jaws (3)** with aid of the **clamping lever (4)** and insert the test piece.
- **Press the clamping jaws (3)** with aid of the **clamping lever (4)** briefly against the test piece.
- Hold the EXAMO 100 with one hand on the **handle (2)** with a firm grip.
- Take a cordless drill equipped with a bit holder in your free hand and insert the **hexagonal adapter (1)** into the bit holder.
- Set the direction of rotation of the cordless drill to clockwise.
- Press the on/off switch and pull the test coupon apart at a steady speed until it breaks. If the weld is correct, the fracture point of the test coupon is outside the welding seams.
- After breaking the test coupon, adjust the direction of rotation of the cordless drill counterclockwise and move the **clamping slide (5)** back to the starting position.
- Remove cordless drill with bit holder.
- **Open the clamping jaws (3)** with aid of the **clamping lever (4)** and remove the remains of the test coupon.

## 6. Quick Guide EXAMO 100



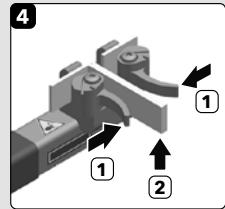
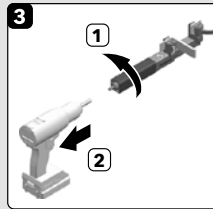
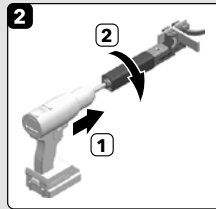
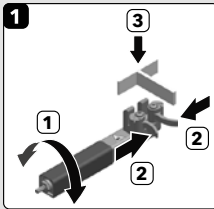
The safety instructions in section 5 must be observed when using the device!

1. Set distance between the **clamping jaws (3)** (approx. 15 mm) and clamp test piece
2. Connect the cordless drill incl. bit holder to the EXAMO 100 and pull out the test coupon
3. **Retract the clamping slide (5)** to original position and remove cordless drill incl. bit holder
4. Remove the remnants of the test coupon

LEISTER

### EXAMO 100 Quick Guide

Operating Instructions:  
[leister.link/qg-dlp-examo-100](https://leister.link/qg-dlp-examo-100)



QG EXAMO 100 / Art. 167.613 / 12.2022

## 7. Frequently Asked Questions, Causes And Measures EXAMO 100

### Clamping slide (5) does not retract

Causes	Action
The <b>clamping slide (5)</b> was moved too far outward (permitted distance 100 mm).	<b>Press clamping slide (5)</b> inwards and at the same time turn the <b>hexagonal adapter (1)</b> counterclockwise until the spindle nut is connected to the spindle
The <b>clamping slide (5)</b> was moved too far inwards (minimum distance between the clamping jaws is 11 mm).	<b>Turn hexagonal adapter (1)</b> clockwise until the spindle nut is connected to the spindle

## 8. Maintenance

- Repairs are to be performed exclusively by authorized Leister Service Centers.
- Leister Service Centers guarantee a professional and reliable repair service within 24 hours with original spare parts in accordance with circuit diagrams and spare parts lists.

For more information please visit [leister.com](http://leister.com)

### Recommended maintenance intervals for the device:

Period of time (operating hours)	Monitoring and maintenance work	Spare parts	Tools
After each use of the device	Smooth running of the spindle/spindle nut		Turn the <b>hexagonal adapter (1)</b> by hand
After each use of the device	Suspension of the <b>clamping jaws (5)</b>		by hand

If the device does not function according to the recommended maintenance intervals, the device must be repaired by an authorized Leister service center.

## 9. Declaration of Conformity

### EU Declaration of Conformity

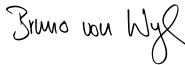
**Leister Technologies AG, Galileo-Strasse 10, 6056 Kaegiswil, Switzerland** confirms that this product fulfills the requirements of the following EU Guideline in the models that we have made available for purchase.

Directive: 2006/42/EC

Harmonized  
standard: EN ISO 12100

Name of authorized representative for documentation: Thomas Schäfer, Manager Product Conformity

Kaegiswil, 03/27/2023



Bruno von Wyl, CTO



Pascal Bösch, VP R&D

---

### UK Declaration of Conformity

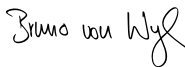
**Leister Technologies AG, Galileo-Strasse 10, 6056 Kaegiswil, Switzerland** confirms that this product, in the versions as brought into circulation through us, fulfils the requirements of the following UK Statutory Instrument.

UK Statutory  
Instrument: 2008 No. 1597

Designated  
Standard: EN ISO 12100

Name of authorized representative for documentation: Thomas Schäfer, Manager Product Conformity

Kaegiswil, 03/23/2023



Bruno von Wyl, CTO



Pascal Bösch, VP R&D

## Warranty

- The guarantee or warranty rights granted for this device by the direct distribution partner/salesperson apply from the date of purchase. In the event of a guarantee or warranty claim (verification by invoice or delivery note), manufacturing or processing errors will be rectified by the sales partner through replacement delivery or repair. Heating elements are excluded from warranty obligations or guarantees.
- Other guarantee or warranty claims are excluded within the framework of mandatory law.
- Damage resulting from natural wear, overload, or improper handling is excluded from the warranty.
- Devices that have been converted or modified by the purchaser are not covered by any warranty or guarantee.

↳ Sales and service center



### Leister Technologies AG

Galileo-Strasse 10

6056 Kaegiswil

Switzerland

+41 41 662 74 74

leister@leister.com

**leister.com**